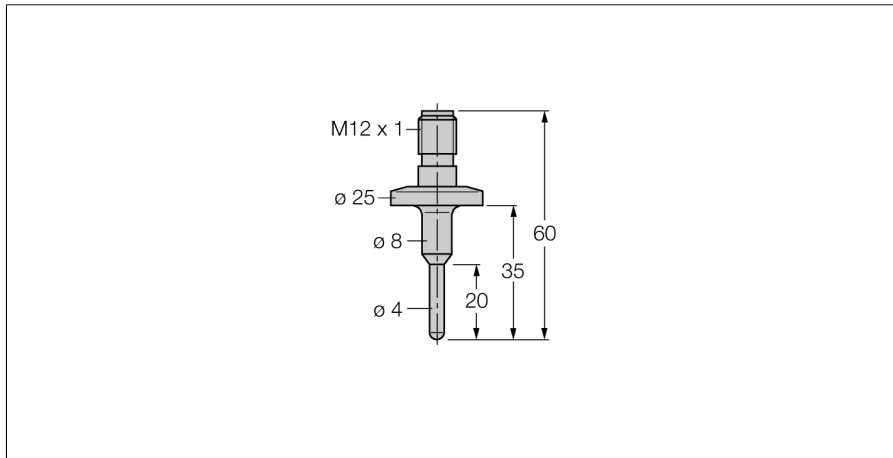
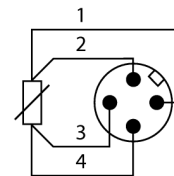


**Temperature measurement
Probe
TP-504A-TRI3/4-H1141-L035**



- Pt-100 probe acc. to DIN EN 60751
 - Vibration and shock-resistant
 - Connectable to TS, TTM, IM34, BL20, BL67
- Process connection G 3/4" Tri-Clamp**
- 4-wire connection technology

Wiring Diagram



General description

Resistance thermometers are used for the detection and monitoring of temperatures to optimize and control a process.

Typical applications are in machine and plant construction as well as in the process industry. The core element of the temperature sensor is a temperature-dependent resistor.

| | |
|---|--|
| Type designation | TP-504A-TRI3/4-H1141-L035 |
| Ident no. | 9910429 |
| Temperature range | -50...120 °C |
| Temperature operating range | -58...248°F |
| Measuring element | Pt-100 probe, DIN EN 60751, class A |
| Accuracy | 0.15 °C + 0.002 · t (-30 ...350 °C) |
| Response time | t 0.5 = 3 s / t 0.9 = 10 s in water at 0.2 m/s |
| Immersion depth (L) | 35 mm |
| Protection type and class | IP67 |
| Ambient conditions | |
| Ambient temperature | -40...+120 °C |
| Housing | |
| Sensor material | stainless steel, AISI 316L, Ra ≤ 0.8µm |
| Process connection | Tri-Clamp 3/4" |
| Electrical connection | Connector, M12, 4-pin |
| Pressure resistance | 40 bar |
| Reference conditions acc. to IEC 61298-1 | |
| Temperature | 15...+25 °C |
| Atmospheric pressure | 860...1060 hPa abs. |
| Humidity | 45...75 % rel. |
| Auxiliary power | 24 VDC |
| MTTF | 2283 acc. to SN 29500 (Ed. 99) 20 °C |

**Temperature measurement
Probe
TP-504A-TRI3/4-H1141-L035**

TURCK

Industrial
Automation

Wiring accessories

| Type code | Ident no. | Description | |
|---------------------|-----------|--|--|
| WKC4.4T-2/TEL | 6625025 | Connection cable, female M12, angled, 4-pin, cable length: 2 m, sheath material: PVC, black; cULus approval; other cable lengths and qualities available, see www.turck.com | |
| RKC4.4T-2/TXL | 6625503 | Connection cable, female M12, straight, 4-pin, cable length: 2 m, sheath material: PUR, black; cULus approval; other cable lengths and qualities available, see www.turck.com | |
| WKC4.4T-2/TXL | 6625515 | Connection cable, female M12, angled, 4-pin, cable length: 2 m, sheath material: PUR, black; cULus approval; other cable lengths and qualities available, see www.turck.com | |
| RKC4.4T-P7X2-10/TXL | 6626184 | Connection cable, female M12, angled, 4-pin, cable length: 10m, sheath material: PUR, black; cULus approval; other cable lengths and qualities available, see www.turck.com | |